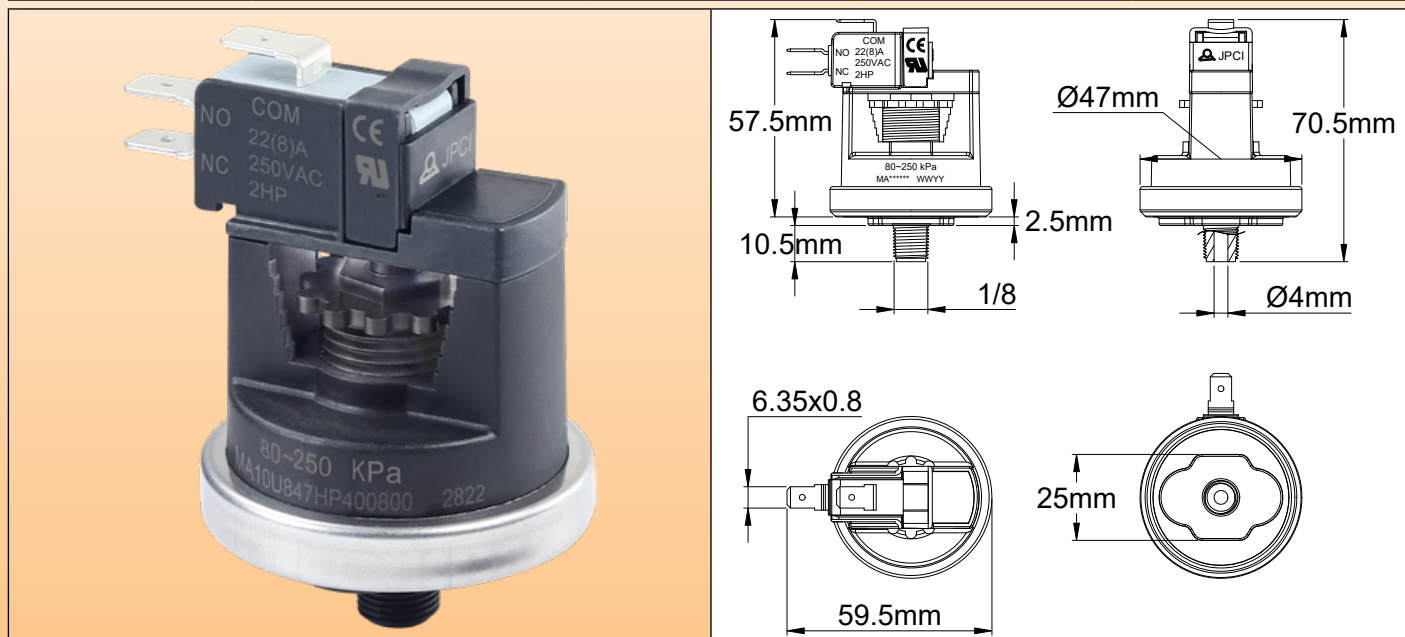




# Adjustable set point positive pressure switches

Snap action contact pressure switches, field adjustable, for incorporation, 1/8" fitting, SPDT contact

Fitting	Pressure	Contact	Minimum set point adjustment	Maximum set point adjustment	Type
PA66, 1/8" BSPT or 1/8" NPT	Positive	SPDT	5 kPa (50 mbar, 0.7 PSI)	5 bar (0.5 Mpa, 72.5 PSI)	<b>MA</b>



## Main applications :

Pressure sensing on water heaters, boilers, spas and swimming pool heaters and filters, sprinklers circuits, electrical appliances. Its high electrical rating allows its use on pumps, motors, electrical heaters. For incorporation.

## Technical features :

**Membrane:** Silicone, dia 45 mm.

**Fluid:** Water or air

**Fitting:** PA66, 1/8" NPT or BSPT

**Pressure:** Positive

**Contact:** SPDT, snap action.

**Electrical rating:** 22 (8)A 250VAC

**Action:** Momentary.

**Set point calibration:** Field adjustable with knob

**Standard adjustment ranges (mbar):** 100 to 200 ; 150 to 350 ; 300 to 800 ; 600 to 5000.

These devices can also be factory calibrated upon customer request.

**Electrical connection:** 6.35 × 0.8mm quick connect terminals

**Maximum adjustment pressure:** 5 bar (0.5 Mpa, 72.5 PSI).

**Bursting pressure:** > 25bar (2.5Mpa, 362PSI)

**Ambient temperature limits:**

Air: -10 to 85°C (14 to 185°F)

Water: 0 to 85°C (32 to 185°F)

## Main parts numbers with 22 (8)A 250VAC switch :

Pressure inlet	Set point adjustment range			
	10 to 20 kPa (100 to 200 mbar, 1.5 to 2.9 PSI)	15 to 35 kPa (150 to 350 mbar, 2.2 to 5.1 PSI)	30 to 80 kPa (300 to 800 mbar, 4.4 to 11.6 PSI)	60 to 500 kPa (600 to 5000 mbar, 8.7 to 72.5 PSI)
1/8" NPT	MA10U847HP410100	MA10U847HP410350	MA10U847HP410800	MA10U847HP415000
1/8" BSPT	MA10U847LP410100	MA10U847LP410350	MA10U847LP410800	MA10U847LP415000

Because of permanent improvement of our products, drawings, descriptions, features used on these data sheets are for guidance only and can be modified without prior advice